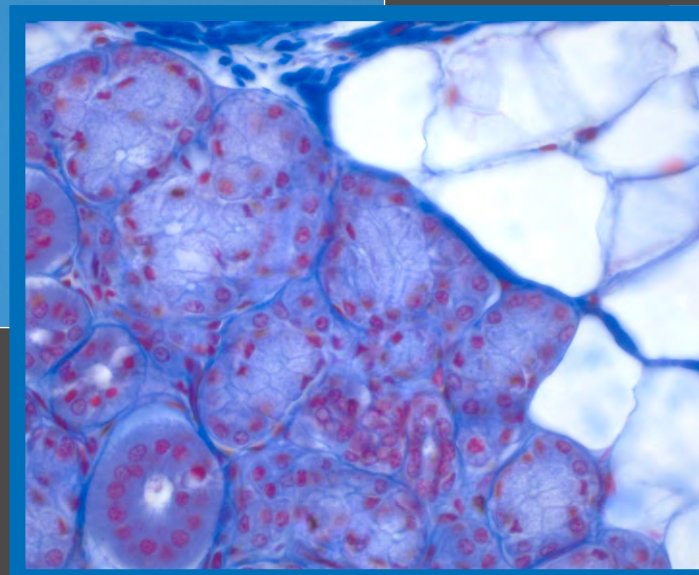


iVu 7000

Digital Camera Module



LABOMED
ideas for vision

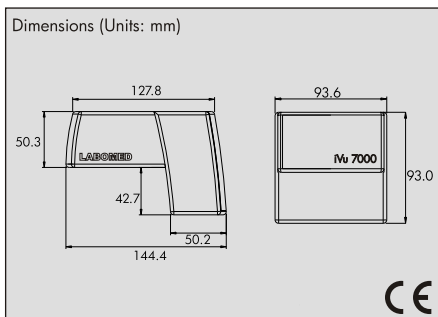
iVu 7000 Digital Camera Module

Technical Data

- CCD Sensor
- Sensor resolution
- Pixel Size
- A/D conversion
- Pixel clock
- Dynamic range
- Max. exposure
- Analog Gain
- Frame rate (image size)
- Image resolution:
- Digital interface
- Optical connection
- Tripod thread
- Voltage Supply
- Power consumption
- Ambient conditions
- Weight
- Computer specifications
- Software

Specifications

1/2.5" 7.0 Megapixel Color CCD; Active area: 5.71mm x 4.29mm
 3072 x 2304 pixel
 1.86µm x 1.86µm
 3 x 12 Bit RGB
 32 MHz
 60 dB
 5s
 1x...6x
 20 fps (1228 x 932)
 Standard 3072 x 2304; Sensor Binning 1228 x 932(interpolation)/614 x 466 (subsampling)
 IEEE 1394a Firewire™
 C-mount (0.5 x TV adapter recommended) with integrated HOYA C500S IR cut-off filter
 Dual thread 3/8" and 1/4"
 8...33 VDC (via IEEE1394 Connector)
 approx. 6W
 Temperature: +5°C...+35°C; Humidity: 5%...80%, not condensing
 780g
 PC: Microsoft Windows® 2000/ XP/ Vista; Mac: Apple Macintosh® OS x 10.4 or higher 3 GHz CPU, 1 GB RAM, 64 MB graphics, IEEE 1394 Firewire™ (OHCI compliant)
 ProgRes CapturePro (Twain & Stand alone). Features: Multi-fluorescence mode; Programmable resolution; Individual user profiles; Measurement capabilities; Continuous automatic exposure control; Time-lapse; Shading calibrations; Multi-camera operation; Multi-focus; Image annotations; Multi-Fluorescence Mode: Definition of up to 5 color filters; Guided workflow for capturing; multi-fluorescence images; Auto-fluorescence reduction; Measurements: Performed in live-image mode; Calibration options; Various measurement tools; Storage with the captured image; Reproducible data; Annotations; Live-image functionality: Rotate / mirror; Focus tool; Automatic exposure control



Labo America, Inc.

920 Auburn Court
 Fremont, CA 94538
 U.S.A.

Tel: (510) 445-1257
 Fax: (510) 991-9862
 Email: sales@laboamerica.com

laboamerica.com

Distributor