

Luxeo

Stereo Microscopy



LABOMED 
ideas for vision

A truly bright idea in stereo microscopy



Innovation in illumination, optical, and mechanical design make Luxeo the premier choice in dissection as well as routine inspection microscopy for those who demand superior value. With a basic two step configuration, a more advanced zoom system, or a versatile digital imaging system, the highly ergonomic Luxeo series comes in configurations adaptable for most applications.



1 Focusable eyepieces with high eye-relief and a toggle lock* for selecting diopter settings promise convenience and comfort. Rigid antiglare retractable eyeguards with antibacterial over-mold. Luxeo 4D offers a 5MP camera with on-board SD card slot, capture/record button, and PixelPro™ software.

2 Ergonomic zoom/step and focus control knobs with an antibacterial over-mold. All metal gear system provides durable yet smooth focus control.

3 A 10 LED ring light can be controlled in the way of both intensity and a +/- 30° oblique incidence selection. A bright yet cool LED base light illuminates translucent media.

- Luxeo 2S** A 2-step educational stereo microscope for elementary or routine inspection of 3D objects.
- Luxeo 4Z** A compact Greenough zoom pod with 4.4:1 zoom ratio.
- Luxeo 4D** A 4.4:1 zoom system with an integrated 5 MP camera, image capture/record toggle button and SD card slot.



* Available as a standard with Luxeo 4Z and Luxeo 4D only.

Luxeo Stereo Microscope

Specifications

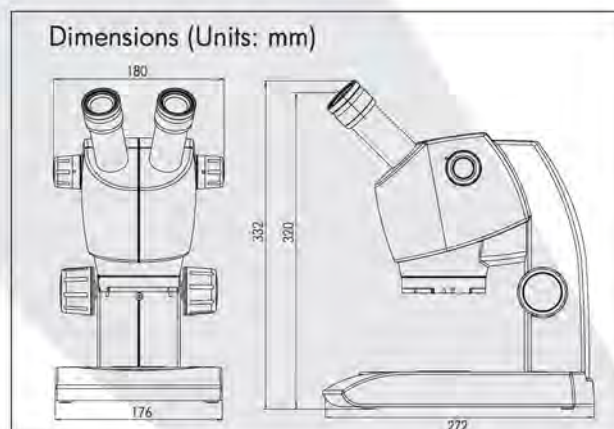
Specification	Luxeo 2S	Luxeo 4Z	Luxeo 4D
- Optical System	Greenough	Greenough	Greenough
- Magnification	1x/3x; 2x/4x	4.4:1 Zoom	4.4:1, Zoom
- Eyepieces	WF 10x/18mm	WF 10x/20mm*	WF 10x/20mm*
- Diopter correction	+/- 5 diopters	+/- 5 diopters	+/- 5 diopters
- Viewing body	Binocular, 45°	Binocular, 45°	Binocular, 45°
- Working distance	100mm	100mm	100mm
- Magnification range	10x/30x; 20x/40x	8x to 35x	8x to 35x
- Object field diameter	18 to 6; 9 to 4.5mm	6.6 to 28.5mm	6.6 to 28.5mm
- Eye guards	Retractable	Retractable	Retractable
- Illumination control	Incident/transmitted/combined illumination control buttons (all models)		
- Incident light	+/- 30° oblique illumination and variable intensity control dial (all models)		
- Incident light method	Maximum intensity (10 LEDs), front angled incident light (5 LEDs), rear angled incident light (5 LEDs) (all models)		
- Transmitted light	3 LEDs super bright glow screen, low heat emission (all models)		
- LED Service Life	Approx. 25,000 hours	Approx. 25,000 hours	Approx. 25,000 hours
- Light quality	Homogeneous daylight (6500°K), free of UV and IR emissions (all models)		
- Power Supply	Universal 100V - 240V, 50/60Hz integrated power supply with voltage flux stablizer (all models)		
- Digital Camera	o	o	5.0 mega pixel, 1/2.5" CMOS camera
- Image Output	o	o	Digital (USB 2.0/3.0), Analog (Video)†
- Integrated slot	o	o	Secure Digital (SD) Card
- Recording	o	o	Image capture toggle (on-board)
- Software	o	o	PixelPro™ (Windows XP/Vista/7)

* With dioptic lock

† NTSC/PAL toggle provided on-board

Configurations

Description	Configuration	Cat. No.
Luxeo 2S	Binocular, 1x/3x	4141000
Luxeo 2S	Binocular, 2x/4x	4142000
Luxeo 4Z	Binocular, 4.4:1	4144000
Luxeo 4D	Integrated Camera, Binocular	4145000



Labo America, Inc.

920 Auburn Court
Fremont, CA 94538
U.S.A.

Tel: (510) 445-1257
Fax: (510) 991-9862
Email: sales@laboamerica.com



ISO 9001-2008
File No. A9028

laboamerica.com

Distributor